

LZC811C

PSR & PFC LED Driver Controller



General Description

The LZC811C is a single-power stage, isolated and primary side offline LED lighting regulator which achieves high power factor. The proprietary real-current control method can control the LED current accurately from the primary side information. It can significantly simplify the LED lighting system design by eliminating the secondary side feedback components and the opto-coupler. The LZC811C integrates active power factor correction and works in Quasi Resonance mode (QRM) in order to reduce the MOSFET switching losses. With a building in 700V start-up MOSFET, IC can eliminate the power loss caused by start-up resistors to provide a high efficiency solution for lighting applications. The external programmable line voltage compensation provides a more precise output current throughout the universal AC input voltage range. The leading edge blanking circuit on the CS/FB input removes the signal glitch and results in reduced external components and system cost. The multi-protection features of LZC811C greatly enhance the system reliability and safety. The LZC811C features VDD and output over voltage protection; output short circuit protection, cycle-by-cycle current limit and secondary peak current protection on CS pin, VDD UVLO and auto-restart and over-temperature protection. The driver output voltage is clamped at 18V to protect the external power MOSFET.

Fly-back topology

- Real-Current control to meet accurate output current
- Very less components
- Programmable input AC voltage compensation
- Leading Edge Blanking on CS/FB pin
- Protection Features
 - Ø Building in hysteresis OTP
 - Ø VDD over voltage protection
 - Ø Cycle by cycle current limiting on CS pin
 - Ø Secondary peak current protection on CS pin
 - Ø Output short to GND protection
 - Ø Output programmable over voltage protection
 - Ø FB and CS pins default protection

Application circuit

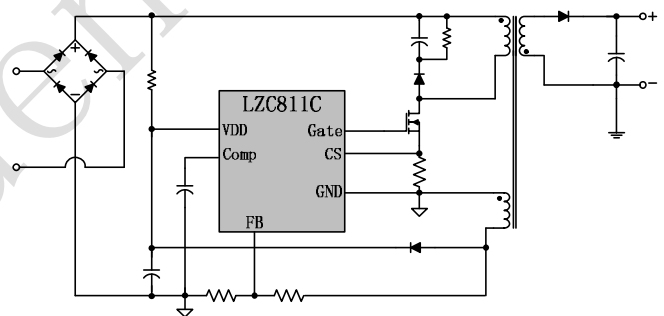


Fig 1 Application Circuit

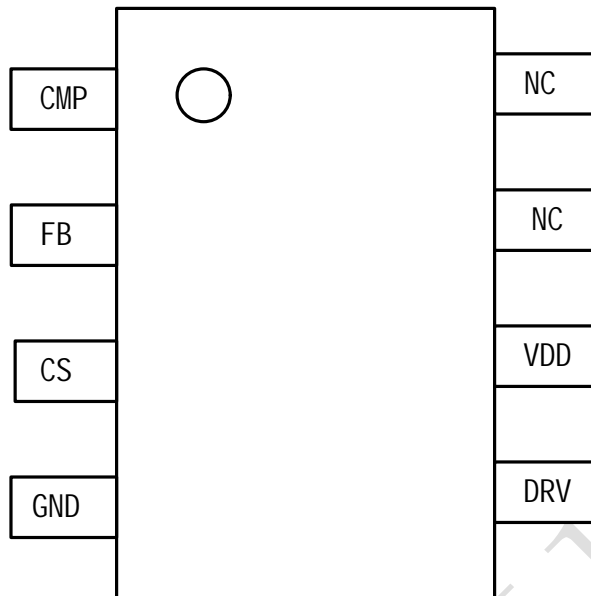
Features

- Single stage PFC
- Primary side regulation without Secondary Feedback
- Quasi Resonance (QR) mode with

LZC811C

PSR & PFC LED Driver Controller

Pin Assignment



LZC811C Pin Assignment

Absolute Maximum Rating

Symbol	Parameter	Rating
V_{DD}	Maximum supply voltage on VDD pin	28.0V
V_{FB}	Input Voltage to FB Pin	-0.3V to 6.0V
V_{CS}	Input Voltage to CS Pin	-0.3V to 6.0V
V_{CMP}	Input Voltage to CMP Pin	-0.3V to 6.0V
ESD Capability	HBM Model	>2000V
	Machine Model	>200V
T_{Max}	Maximum Operating Junction Temperature ³	125°C
T_{STG}	Storage Temperature Range	-55°C to 150°C

LZC811C

PSR & PFC LED Driver Controller



Block Diagram

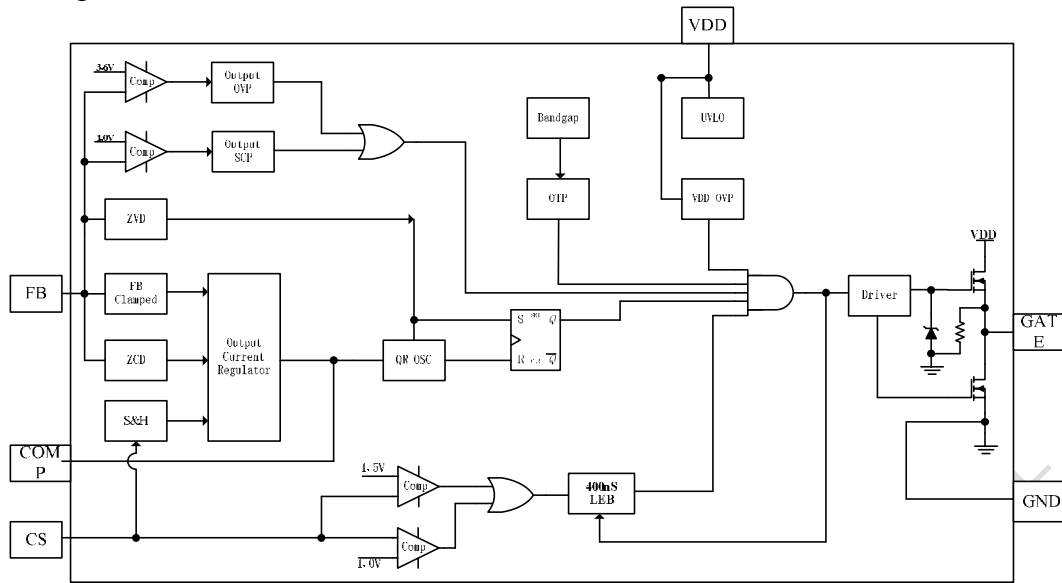


Fig 2 LZC811C Block Diagram

Pin Functions

Name	I/O	Pin No.	Description
CMP	I	1	Loop compensation for constant current regulation. Output of the OTA. The RC network is placed between it and GND.
FB	I/O	2	Detect output diode zero current to regulate output current. Connected to a resistor divider for sensing the reflected voltage from auxiliary winding.
CS	I	3	Current sense pin, a resistor connects to sense the MOSFET current.
GND	Power	4	Power Ground.
DRV	O	5	Totem-pole output to drive the external power MOSFET, Maximum Voltage is internally clamped to 18V.
VDD	Power	6	Power Supply.
NC	/	7	No connect.
NC	I	8	No connect.

LZC811C

PSR & PFC LED Driver Controller



Electrical Characteristics

($T_A=25^{\circ}\text{C}$ and $V_{DD}=15\text{V}$ if not otherwise noted)

Symbol	Parameter	Test Conditions	Limits			Unit
			Min.	Typ.	Max.	
VDD pin						
I_{OP}	Operating Current	Gate open		1		mA
$V_{DD_{ON}}$	Turn-on Threshold Voltage			16		V
$V_{DD_{OFF}}$	Turn-off Threshold Voltage			9		V
$V_{DD_{RST}}$	Logic Reset VDD Threshold Voltage			6		V
$V_{DD_{OVP}}$	VDD Over Voltage Protection			25		V
CMP pin						
V_{REF}	Reference voltage for OTA input			0.2		V
I_{CMP_SINK}	CMP maximal sink current			50		uA
I_{CMP_SOURCE}	CMP maximal source current			10		uA
V_{CMP_MAX}	CMP max. voltage			4.0		V
FB Pin						
V_{FB_SINK}	FB voltage when sink current	2mA sink current		5.0		V
V_{FB_SOURCE}	FB voltage when source current	4mA source current	-0.1	GND	+0.1	V
V_{FB_ZVD}	FB zero voltage detect			0.2		V
V_{FB_OVP}	FB voltage when Output OVP			3.6		V
V_{FB_SCP}	FB voltage when trigger SCP			1.0		V
CS Pin						
V_{CS1}	Cycle by Cycle current limited on CS	FB=0V		1		V
$\Delta V_{CS} / \Delta I_{FB}$	Inner CS Voltage vary with FB source current			TBD		mV/mA
T_{BLANK}	Leading-Edge Blanking Time		300	400	500	nS
Oscillator						
F_{OSC_MAX}	Maximal Frequency			130		kHz
F_{OSC_MIN}	Minimal Frequency			30		kHz
GATE Drive Output (GATE Pin)						
T_R	Rise Time	$C_L=1\text{nF}$		200		Ns
T_F	Fall Time	$C_L=1\text{nF}$		100		Ns
Over Temperature Protection						
OTPH	Over Temperature Lockout			145		$^{\circ}\text{C}$
OTPL	Over Temperature Resume			125		$^{\circ}\text{C}$

LZC811C

PSR & PFC LED Driver Controller



Operation

The LZC811C is a primary side control offline LED controller that incorporates all the features for high performance LED lighting. LED current can be accurately controlled with the real current control method from the primary side information. Active Power Factor Correction (PFC) is included to eliminate the unwanted harmonic noise injected onto the AC line.

Startup

During start-up, the current can charge up the VDD hold capacitor. The turn-on and turn-off thresholds of LZC811C are approximately 15V and 9V respectively. The 6V hysteresis voltage is implemented to prevent shutdown from a voltage dip during start-up.

Quasi Resonance mode (QRM)

During the external power MOSFET on time (T_{ON}), the rectified input voltage is applied across the primary side inductor (L_m) and the primary current increases linearly from zero to the peak value (I_{PK}). When the external power MOSFET turns off, the energy stored in the inductor forces the secondary side diode to be turn-on, and the current of the inductor begins to decrease linearly from the peak value to zero. When the current decreases to zero, the parasitic resonant of inductor and all the parasitic capacitance makes the power MOSFET drain-source voltage decrease, this decreasing is also reflected on the auxiliary winding. The zero-current detector in FB pin generates the turn on signal of the external MOSFET when the FB voltage is lower than 0.2V and ensures the MOSFET turn on at a valley voltage .

As a result, there are virtually no primary switch turn-on losses and no secondary diode reverse-recover losses. It ensures high efficiency and low EMI noise.

Active Power Factor Correction (APFC)

LZC811C is designed with quasi-resonance and constant on time T_{on} to achieve high power factor

under normal operation. The on time of LZC811C vary with input AC voltage $V_p \sin vt$ and load condition and its value is constant basically because of very large loop compensation capacitance on CMP pin. According to following equations,

$$I_{L-peak} = \frac{V_p \sin vt}{L_m} \times T_{on} \quad I_{L-avg} = \frac{V_p \sin vt}{2 \times L_m} \times T_{on}^2 \times f_{osc}$$

The peak current I_{L-peak} and average current I_{L-avg} of transformer will be shaped as AC input

LZC811C

PSR & PFC LED Driver Controller



sinusoid too because T_{on} and f_{osc} both are constant and then high power factor can be achieved.

Real Current Regulator without Secondary Feedback

The proprietary real current control method allows the LZC811C to accurately control the secondary side LED current from the primary side information. The output LED mean current can be calculated approximately as:

$$I_{OUT} = \frac{1}{10 \times R_{CS}} \times V_{REF} \times \frac{N_p}{N_s}$$

Where I_{OUT} is the secondary output current of LED, V_{REF} is the inner reference voltage. N_p is number of turns of primary winding and N_s is number of turns of the secondary winding.

Auto Starter

The LZC811C integrates an auto starter, the starter starts timing when the MOSFET is turned on, if FB fails to send out another turn on signal after 130 μ s, the starter will automatically send out the turn on signal which can avoid the IC unnecessary shut down by FB missing detection.

Minimal Off Time

The LZC811C operates with variable switching frequency. The frequency is changing with the input instantaneous line voltage. To limit the maximum frequency and get a good EMI performance, LZC811C employs an internal minimum off time limiter—3.5 μ s, show as figure.

Leading-Edge Blanking for CS pin

In order to avoid the premature termination of the switching pulse due to the parasitic capacitance discharging at MOSFET turning on, an internal leading edge blanking (LEB) unit is employed between the CS Pin and the current comparator input. During the blanking time, the path, CS Pin to the current comparator input, is blocked. Figure shows the leading edge blanking.

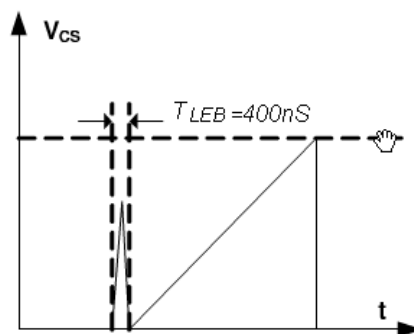


Fig 3

Output over Voltage Protection

Output over voltage protection can prevent the components from damage in the over voltage condition. The positive plateau of auxiliary winding voltage is proportional to the output voltage. The OVP uses

LZC811C

PSR & PFC LED Driver Controller



the auxiliary winding voltage instead of directly monitoring the output voltage. Once the FB pin voltage is higher than 3.6V, the OVP signal will be triggered and latched, the gate driver will be turned off and the IC work at quiescent mode, the VDD voltage dropped below the UVLO which will make the IC shut down and the system restarts again. The output OVP setting point can be calculated as:

$$V_{OUT_OVP} \approx 3.6 \times \frac{N_S}{N_{AUX}} \times \frac{R_{FBH} + R_{FBL}}{R_{FBL}}$$

V_{OUT_OVP}Output over voltage protection value

N_{AUX}the auxiliary winding turns

N_Sthe secondary winding turns

Current Limit

The current limit circuit senses the current of inductor by CS pin. When this current exceeds the internal threshold, typical is 1.0V, the power MOSFET is turned off for the remainder of that cycle.

Leading-Edge Blanking For FB Pin

As shown in Fig, when the power MOSFET is turned off, a damping voltage spike will occur at FB pin due to parasitic capacitance of power MOSFET and leak inductor of transformer. An internal leading edge blanking (LEB) was introduced to filter this noise.

Output Short Circuit Protection

When the output short circuit happens, the positive plateau of auxiliary winding voltage is also near zero. The IC will shut down and restart again once FB voltage falls below 1.0V and lasts for about 20mS.

Thermal Shut Down

The thermal shutdown circuitry senses the die temperature. The threshold is set at 150°C typical with a 25°C hysteresis. When the die temperature rises above this threshold (150°C), the 840X turn off the power MOSFET by DRV and remains turning off until the die temperature falls by 25°C, at which point it is re-enabled.

VDD over Voltage Protection

LZC811C provides an over voltage protection circuit for VDD pin. The GATE output will shut down once the VDD voltage exceeds 25V (typical value), the IC would restart until VDD drops to 9.0V.

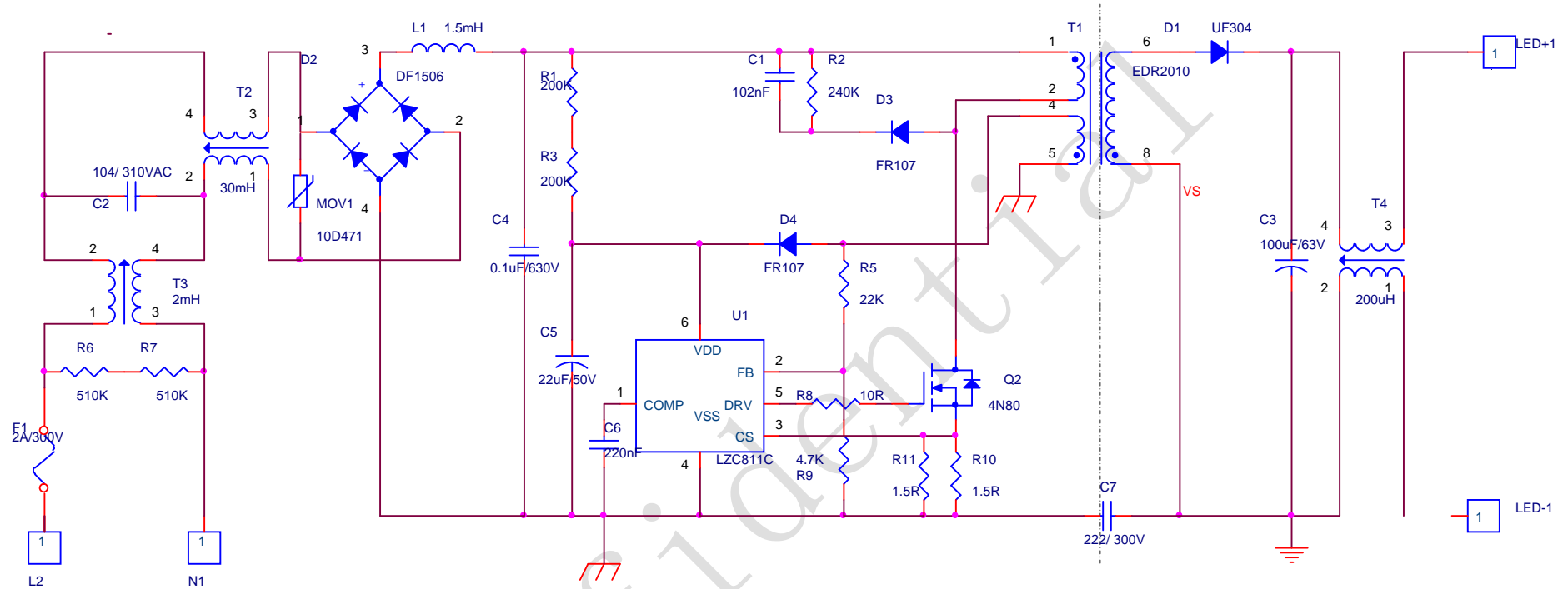
Fault protection

There is several default protections were integrated in the LZC811C to prevent the IC from being damaged which including FB pin open or short, CS pin open.

LZC811C

PSR & PFC LED Driver Controller

Reference Application Schematic

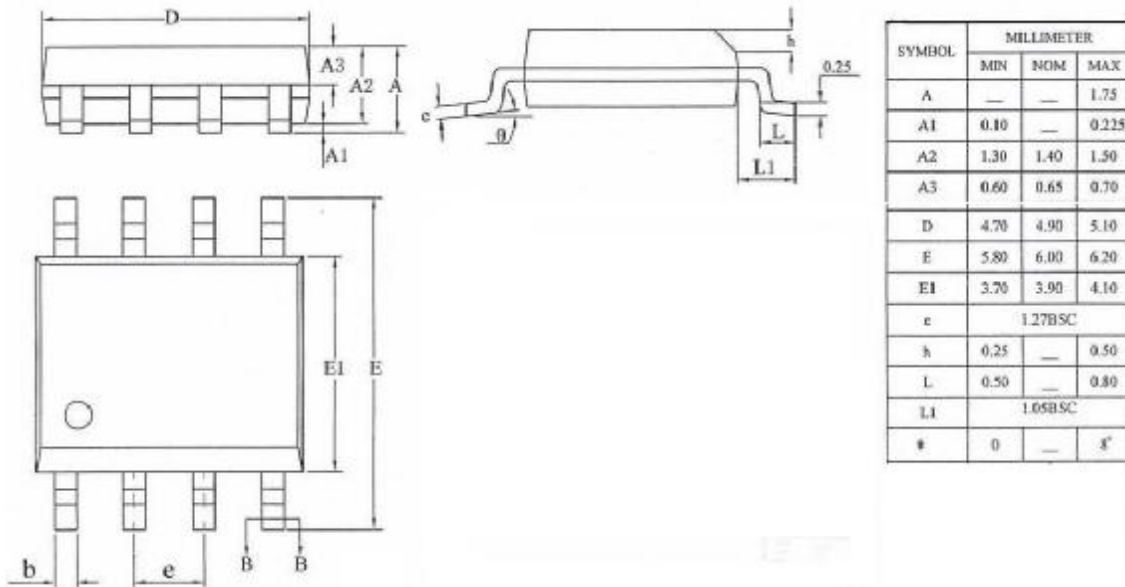


Input: AC90~280V
Output: 38V@420mA

LZC811C

PSR & PFC LED Driver Controller

Package information



Compliant to JEDEC Standard MS12F
 Controlling dimensions are in inches; millimeter dimensions are for reference only
 This product is RoHS compliant and Halide free.

Soldering Temperature Resistance:

[a] Package is IPC/JEDEC Std 020D Moisture Sensitivity Level 1

[b] Package exceeds JEDEC Std No. 22-A111 for Solder Immersion Resistance; package can withstand 10 s immersion < 270°C

Dimension D does not include mold flash, protrusions or gate burrs. Mold flash, protrusions or gate burrs shall not exceed 0.15 mm per end. Dimension E1 does not include inter-lead flash or protrusion. Inter-lead flash or protrusion shall not exceed 0.25 mm per side. D and E1 dimensions are determined at datum H. The package top may be smaller than the package bottom. Dimensions D and E1 are determined at the outer most extremes of the plastic body exclusive of mold flash, tie bar burrs, gate burrs and inter-lead flash, but including any mismatch between the top and bottom of the plastic body.

Ordering Information

Part Number	Package	Top Marking	Free Air Temperature (T _A)
LZC811C	SOIC8	LZC811C	-40°C~+105°C